

PART NAME

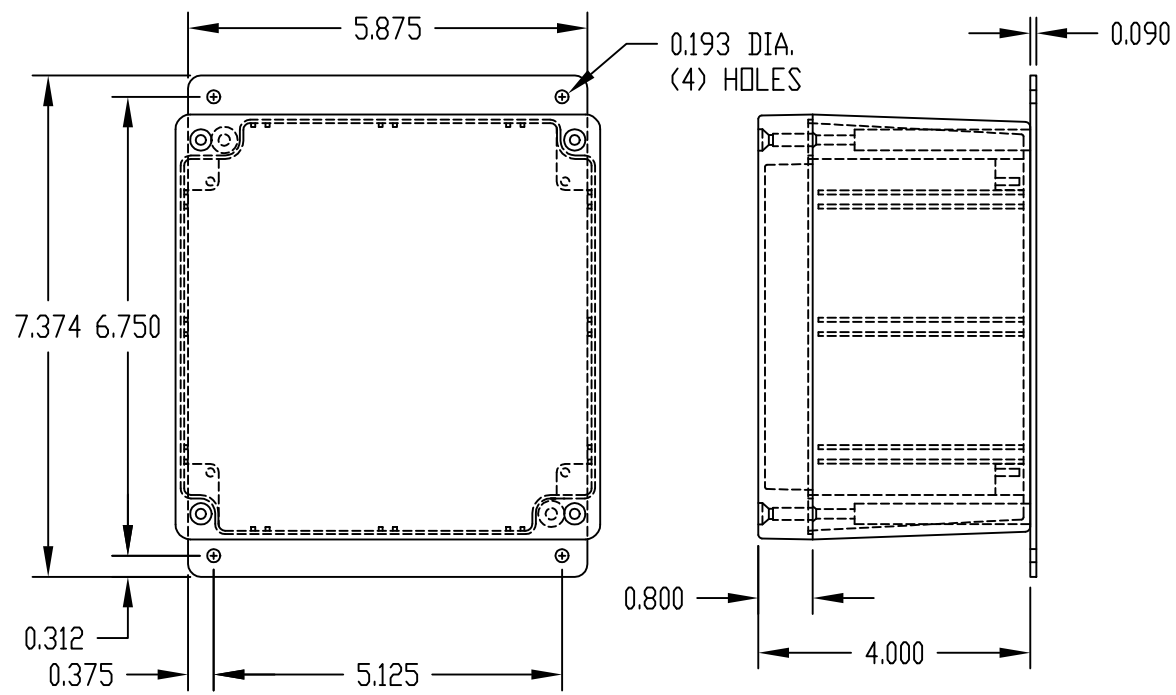
NEMA 4 ENCLOSURE

PART No.

AN-1310, AN-1310-G, AN-2810 & AN-2810-B

REV. DATE

12-6-07

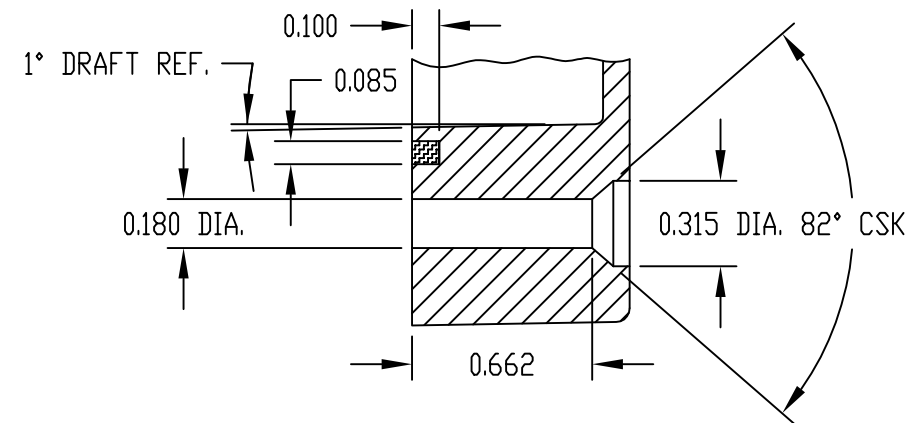


MATERIAL: ALUMINUM ALLOY #ADC-12

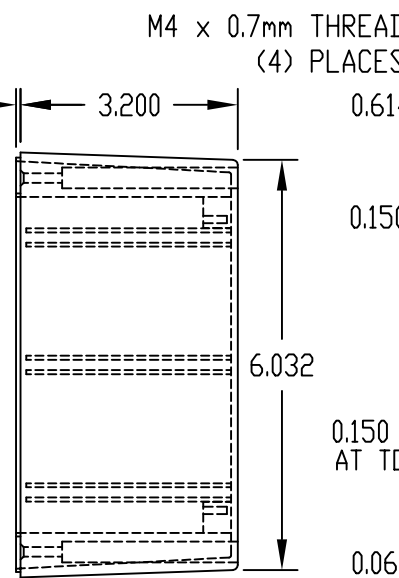
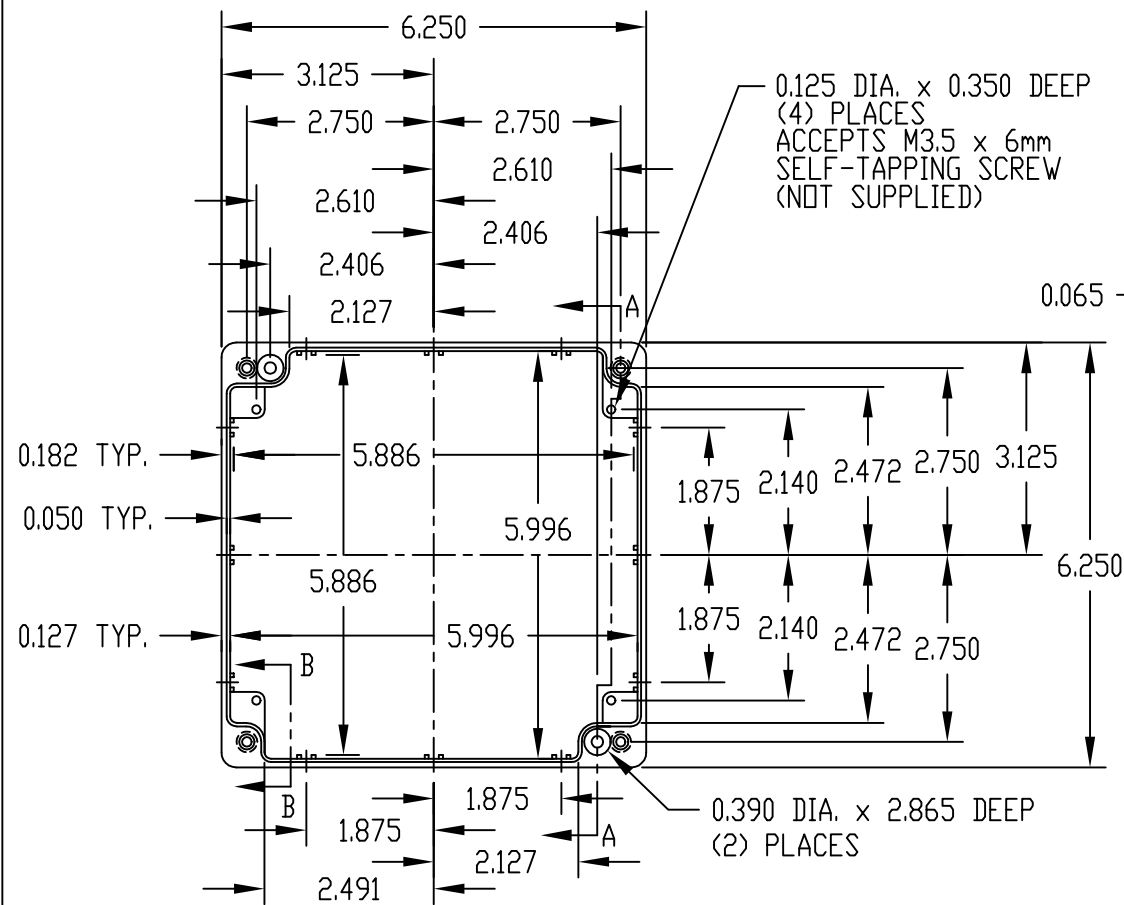
FINISH: NATURAL (NO SUFFIX)
 GRAY (SUFFIX -G)
 SMOOTH BLACK (SUFFIX -B)

NOTES:

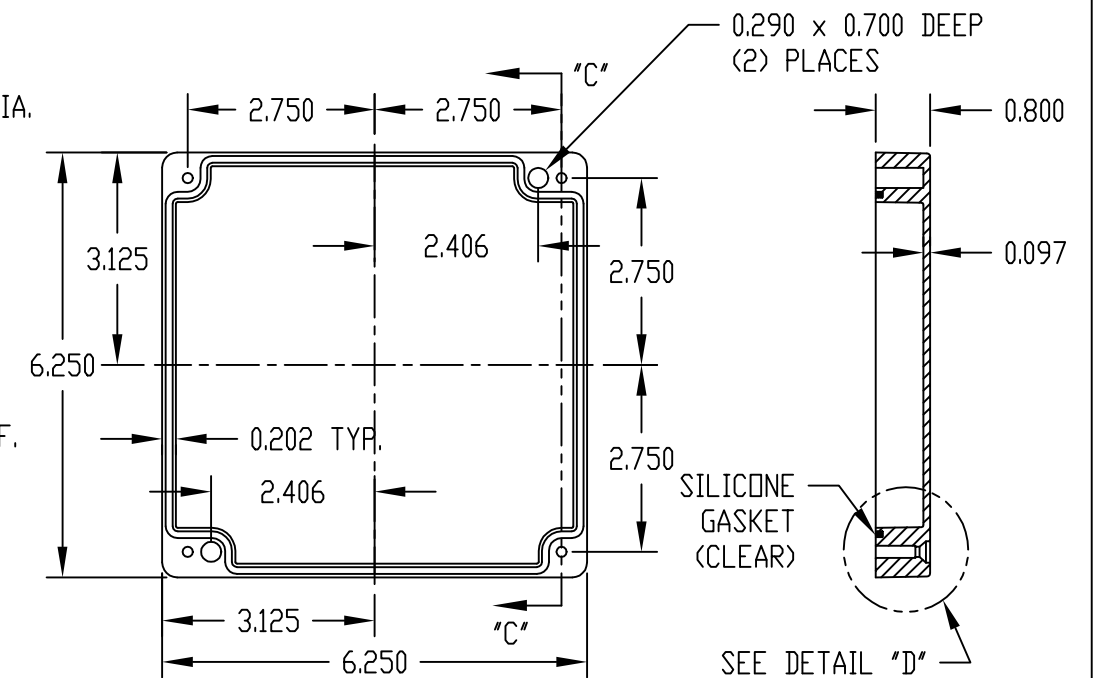
- 1) FOUR (4) M4 x 32mm (1.260") LG. SCREWS SUPPLIED FOR ASSEMBLY OF COVER TO BODY.
- 2) ALL HOLE DIAMETERS HAVE ±0.005 TOLERANCE
ALL OTHER DIMENSIONS HAVE ±0.015 TOLERANCE



DETAIL "D"

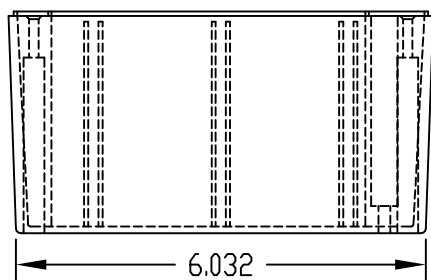


SECTION "A-A"

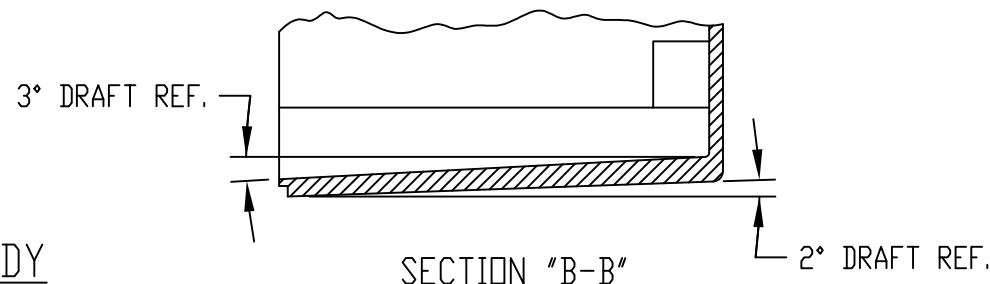


COVER

SECTION "C-C"



BODY



SECTION "B-B"

PART NO. AN-2810 & AN-2810-B
 ARE SUPPLIED WITH A WELDED
 ON MOUNTING BRACKET ONLY.